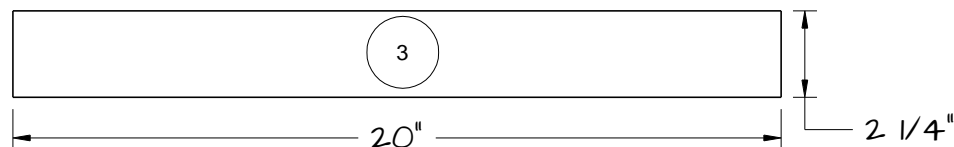
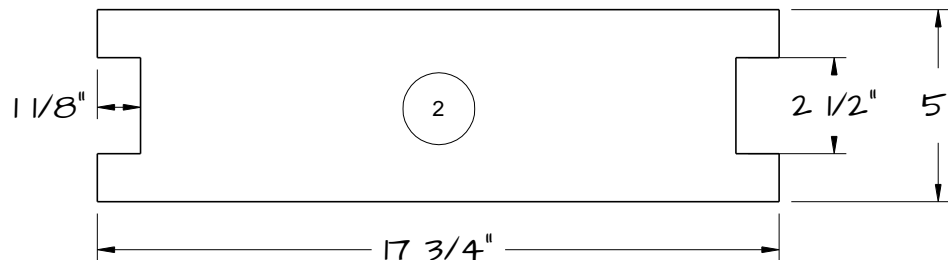
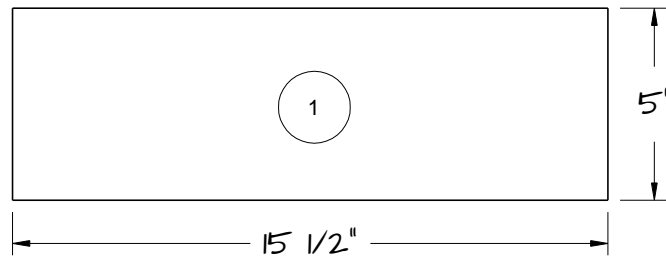
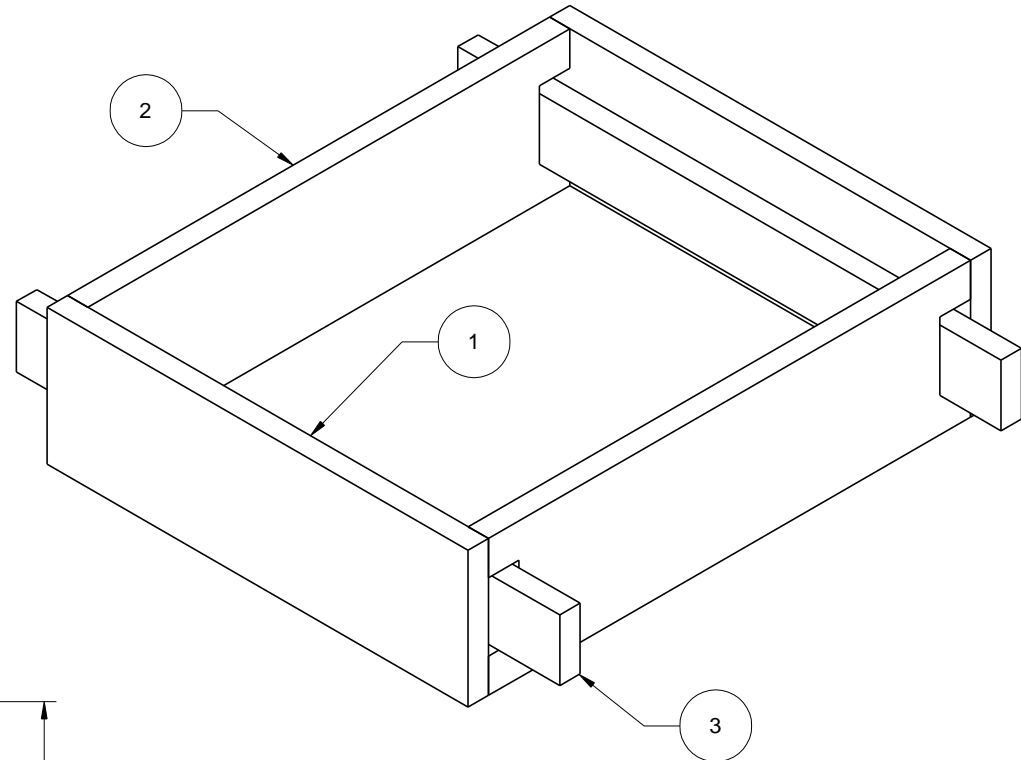


# Frame Assembly Jig

Item	Qty	Part	Dimensions
1	2	Short Side	5" x 15-1/2"
2	2	Long Side	5" x 17-3/4"
3	2	Slide	2-1/4" x 20"

**Note:** Due to variances in frame manufactures, adjustments may need to be made to the slides to create proper fit. Slide can be planed down if too tight, or glue business cards to it if too loose.



Adapted from design at [myoldtools.com](http://myoldtools.com)